



NDV[®] Butterfly Valves

Patent No. 531066

Wafer Type

SPECIFICATION & TECHNICAL DATA

Valve Size: 2" ~ 12" (50mm ~ 300mm)

Max. Working Pressure: 1 ~ 16bar

Working Temperature: (-20°C) ~ (120°C)

Testing Pressure:

- Shell = 2.4MPa
- Sealing = 1.72MPa

Operating Temperature Range:

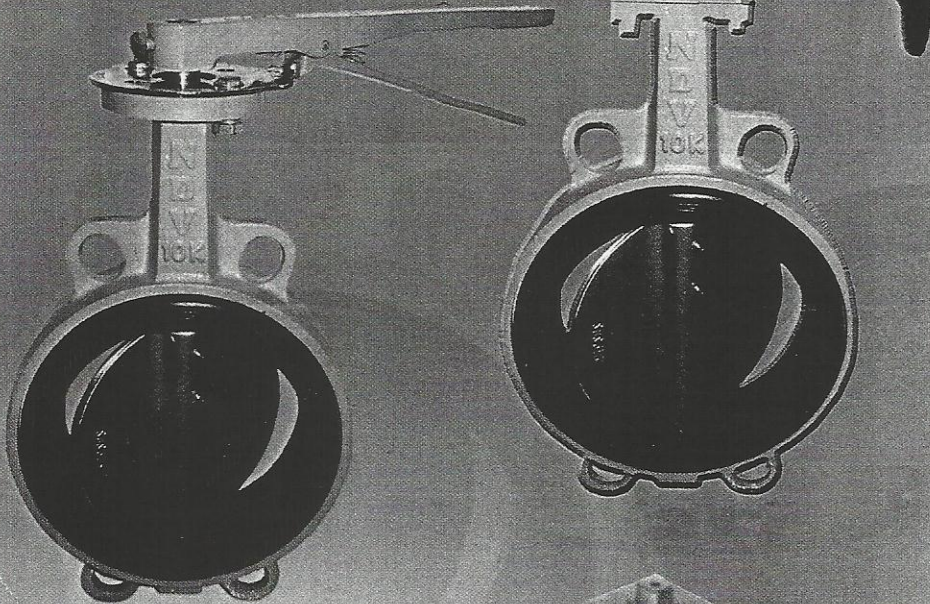
EPDM Seat Ring: (-20°C) ~ (120°C)
(Depending on Seat Material)

Flange Drilling:

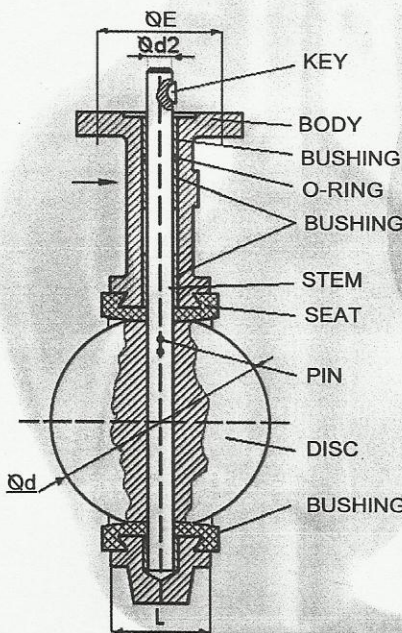
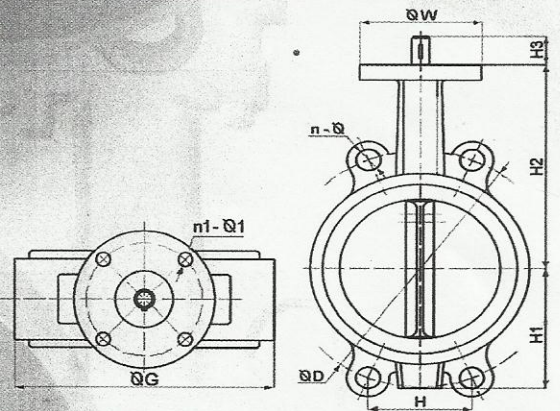
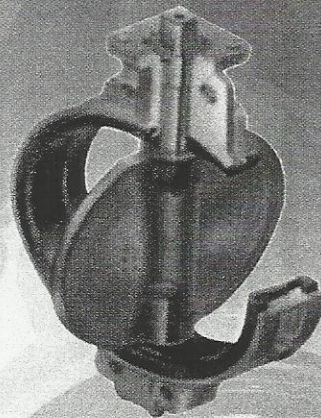
JIS 10K, ANSI 125LBS / ANSI 150LBS
ASA 125/150, PN10-16, BS-10-E

Suitable Medium:

Fresh water, Sea water, Medicine,
Vapour, Food, Acids, Alkalis, Salt
Sewage Air, Oils, Gas, Powder, etc.



MATERIALS	
Body	Cast Iron (FC20)
Disc	Stainless Steel (CF8M)
Stem	Stainless Steel
Seat	EPDM



DIMENSION (LEVEL OPERATED)

VALVE SIZE	DIMENSION (m/m)												
	m / inch	H	H1	H2	H3	ØD	Ød	Ød2	ØE	ØG	L	n1-Ø1	ØW
50	2	84.84	55	143	32	120	55.2	12.6	50	118	41.5	4-7	65
65	2.1/2	96.2	64	155	32	140	67.2	12.6	50	137	44.5	4-7	65
80	3	61.23	72	162	32	150	79.6	12.6	50	143	44.5	4-7	65
100	4	70.80	90	183.8	32	175	105	15.77	70	156	51.4	4-10	90
125	5	82.28	101	197	32	210	129	18.92	70	190	54.5	4-10	90
150	6	91.08	114	210	32	240	152	18.92	70	212	54.4	4-10	90
200	8	112.89/ 76.35	145	240	45	290	205	22.1	102	268	63.5	4-12	125

DIMENSION (GEAR OPERATED)

250	10	92.40	178	286	45	355	256.4	28.45	102	325	65	4-12	125
300	12	105.34	204	309	45	400	306.3	31.6	102	403	76.9	4-12	125

NIHON DAIWA VALVE CO., LTD.

Printed in Taiwan
Cat. No ND 01-01-2004